

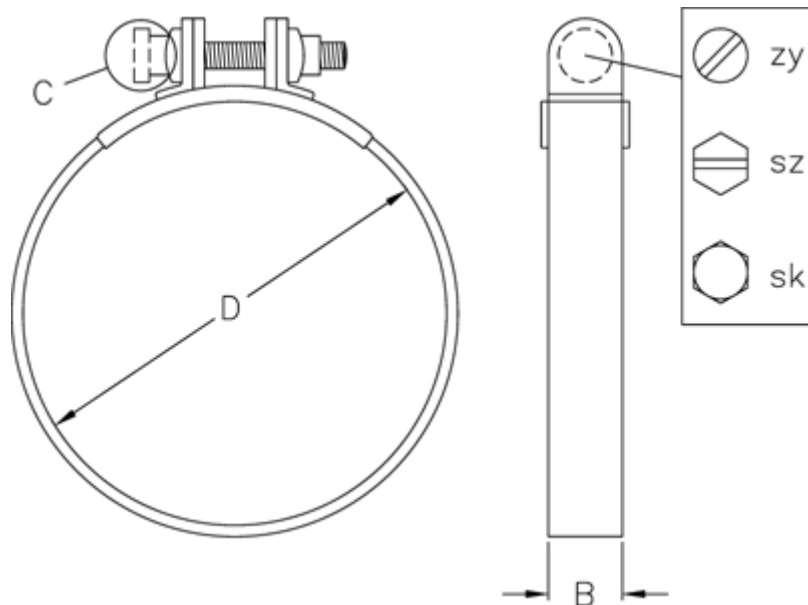
Data Sheet



Article number: 021500700116

Description: Sealing Clamp S 116 W5

Measures



C (screw type) = SZ

Diameter D = 116

Width B = 20